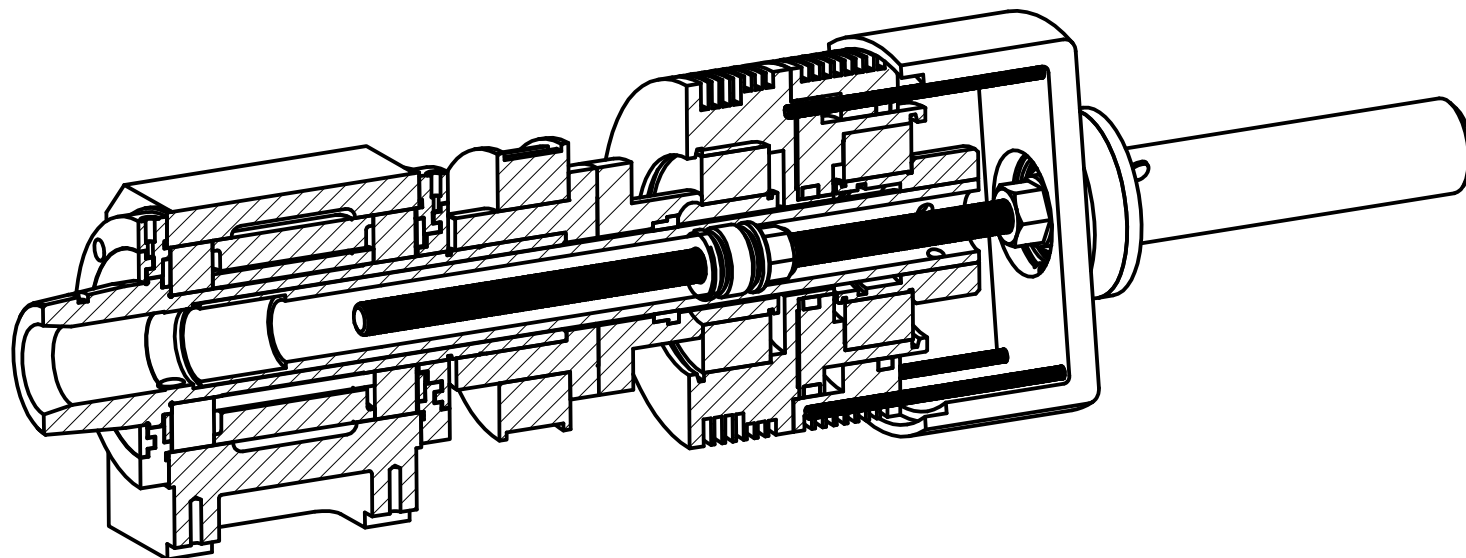




SCALE 1:2



MATERIAL		 <b>DUNHAM</b> <sup>TM</sup> TOOL COMPANY DIVISION OF LISLE CORPORATION	
FINISH	HEAT TREAT		
REFERENCE DRAWING:		TITLE	
UNLESS OTHERWISE SPECIFIED DECIMAL DIM. .xx ±.015 .xxx ±.005 FRACTIONAL DIM. ±1/64 ANGLES ±1° ROUND EDGES .005-.015 CORNERS FILLETS .005-.020 SURFACE FINISH 32✓		CUSTOMER PRINT DEAD STOP	
 USED ON		FM-09-047 2/19/2015	DR. MM CHK. DATE AUG-27-19
SCALE		PART NO.	
NONE		CD-DS100	