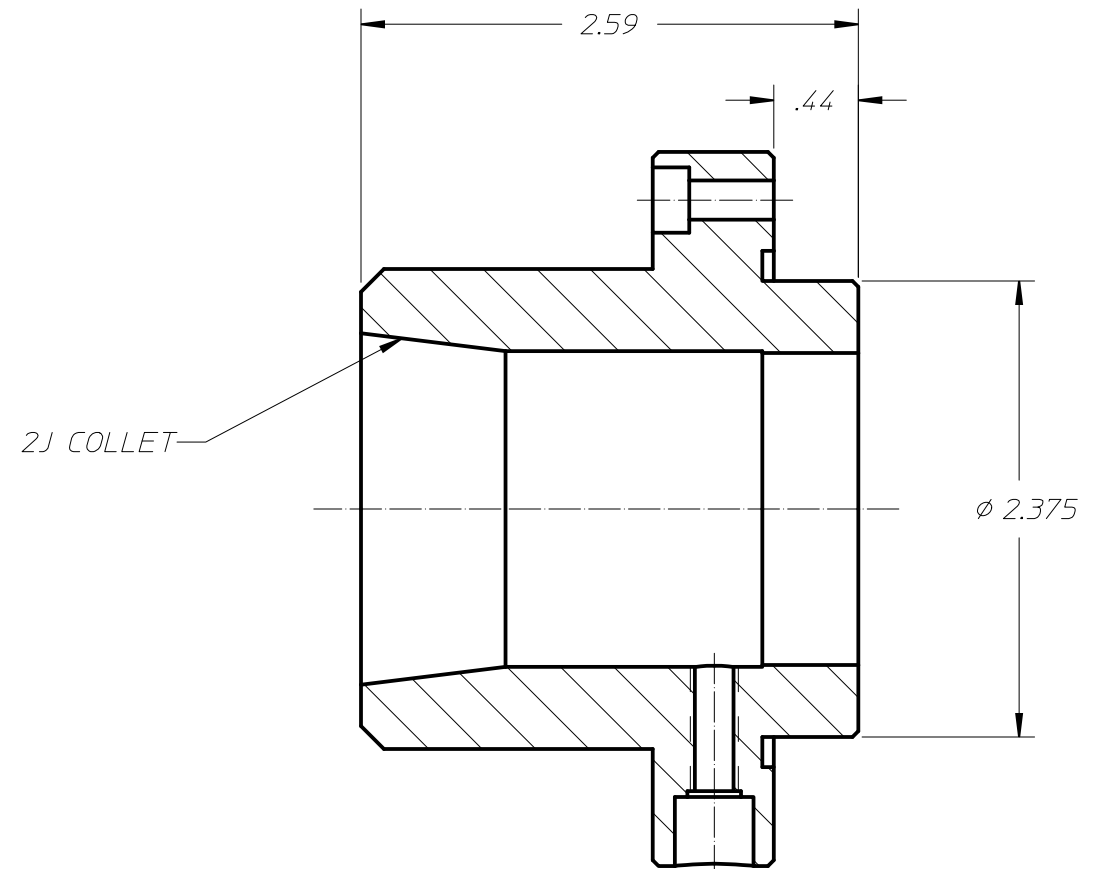
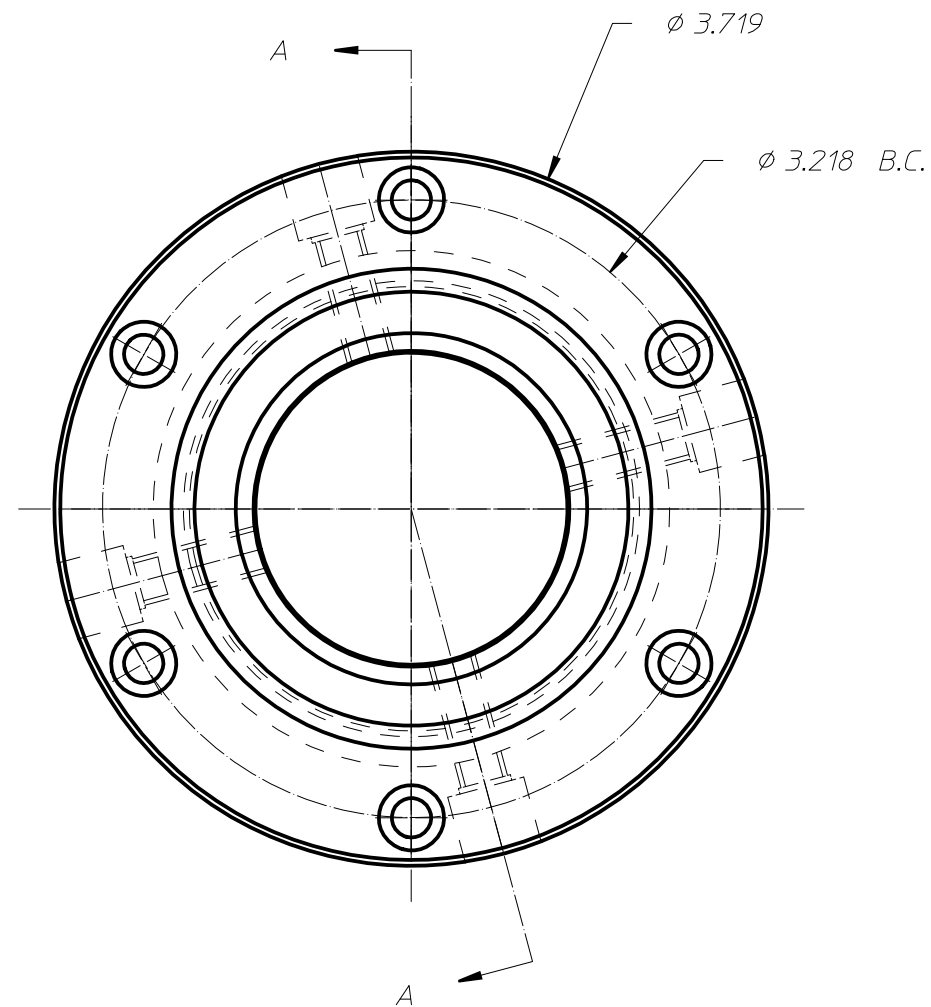




REV.	DATE	CHANGES	BY



SECTION A-A

MATERIAL			
FINISH	HEAT TREAT		
REFERENCE DRAWING:		TITLE	
UNLESS OTHERWISE SPECIFIED DECIMAL DIM. .xx ±.015 .xxx ±.005 FRACTIONAL DIM. ±1/64 ANGLES ±1° ROUND EDGES .005-.015 CORNERS FILLETS .005-.020 SURFACE FINISH 32/√		2J COLLET ADAPTER	
		 FM-09-047 2/19/2015	DR. DATE CHK. DATE
USED ON	PART NO.	MB263-H	
SCALE	1/1		