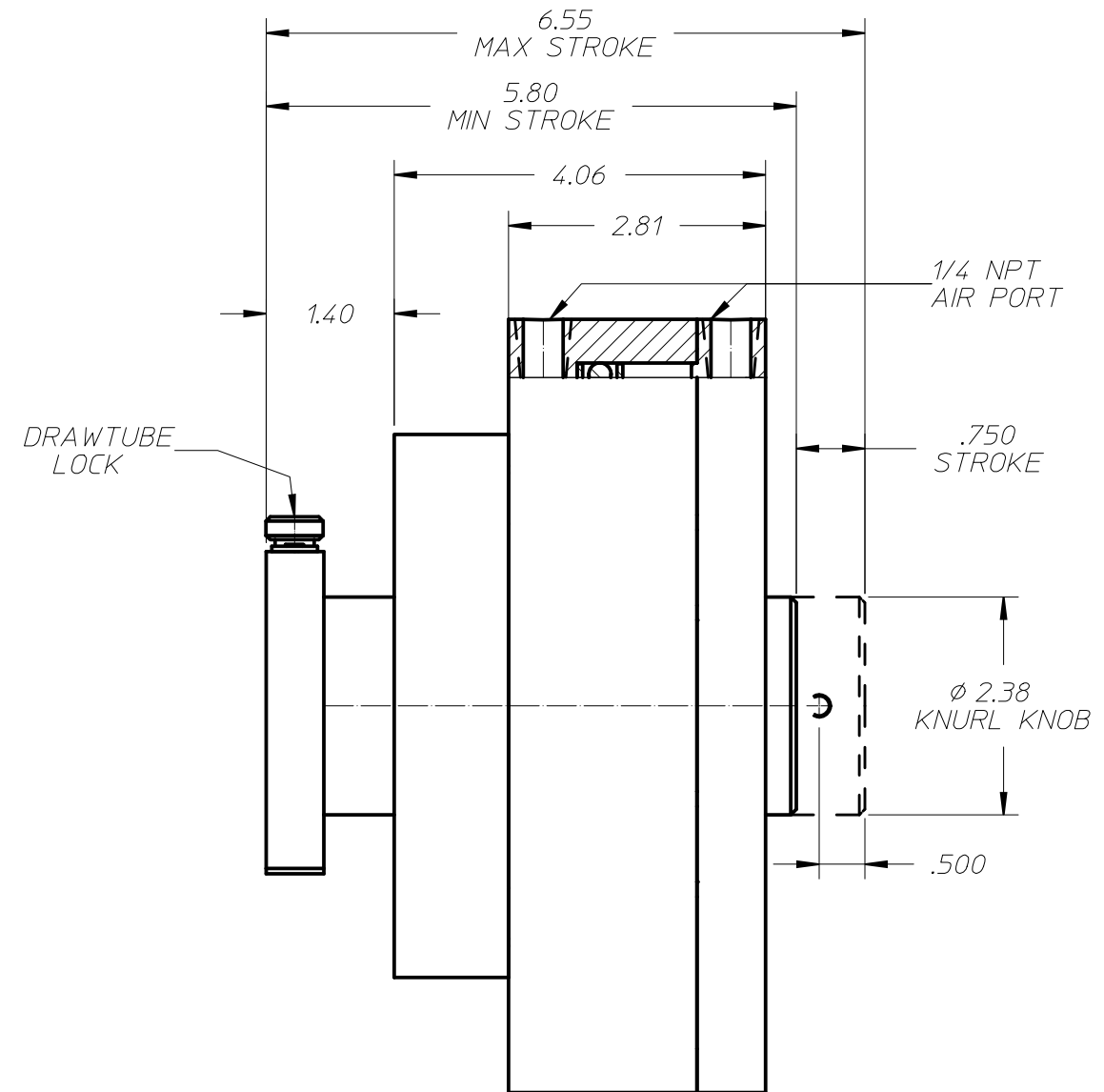
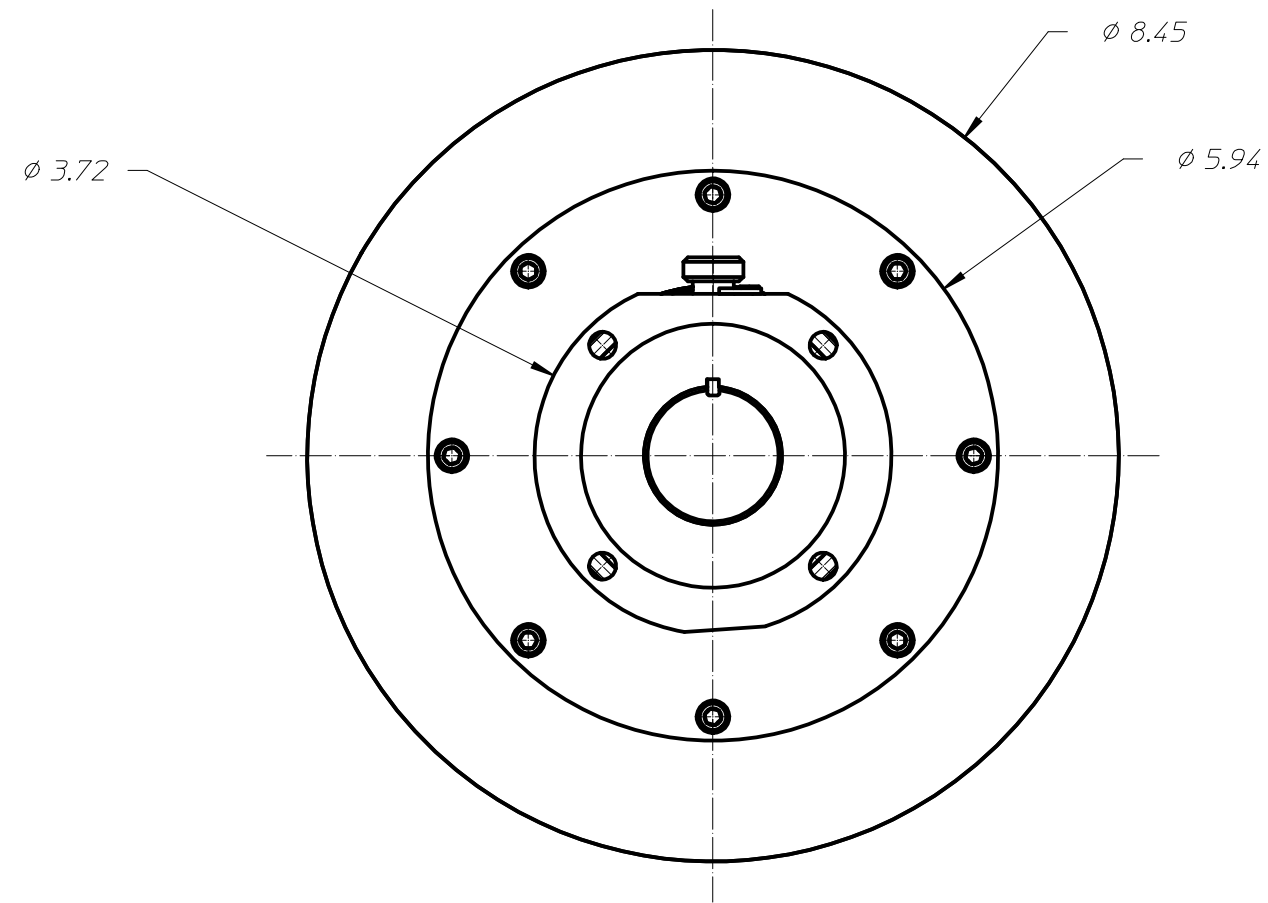




REV.	DATE	CHANGES	BY



MATERIAL		 DUNHAM TOOL COMPANY DIVISION OF LISLE CORPORATION	
FINISH	HEAT TREAT		
REFERENCE DRAWING:		TITLE	
UNLESS OTHERWISE SPECIFIED DECIMAL DIM. .xx ±.015 .xxx ±.005 FRACTIONAL DIM. ±1/64 ANGLES ±1° ROUND EDGES .005-.015 CORNERS FILLETS .005-.020 SURFACE FINISH 32/		27X CLOSER	
USED ON	SCALE	 FM-09-047 2/19/2015	DR. DATE CHK. DATE
		PART NO.	