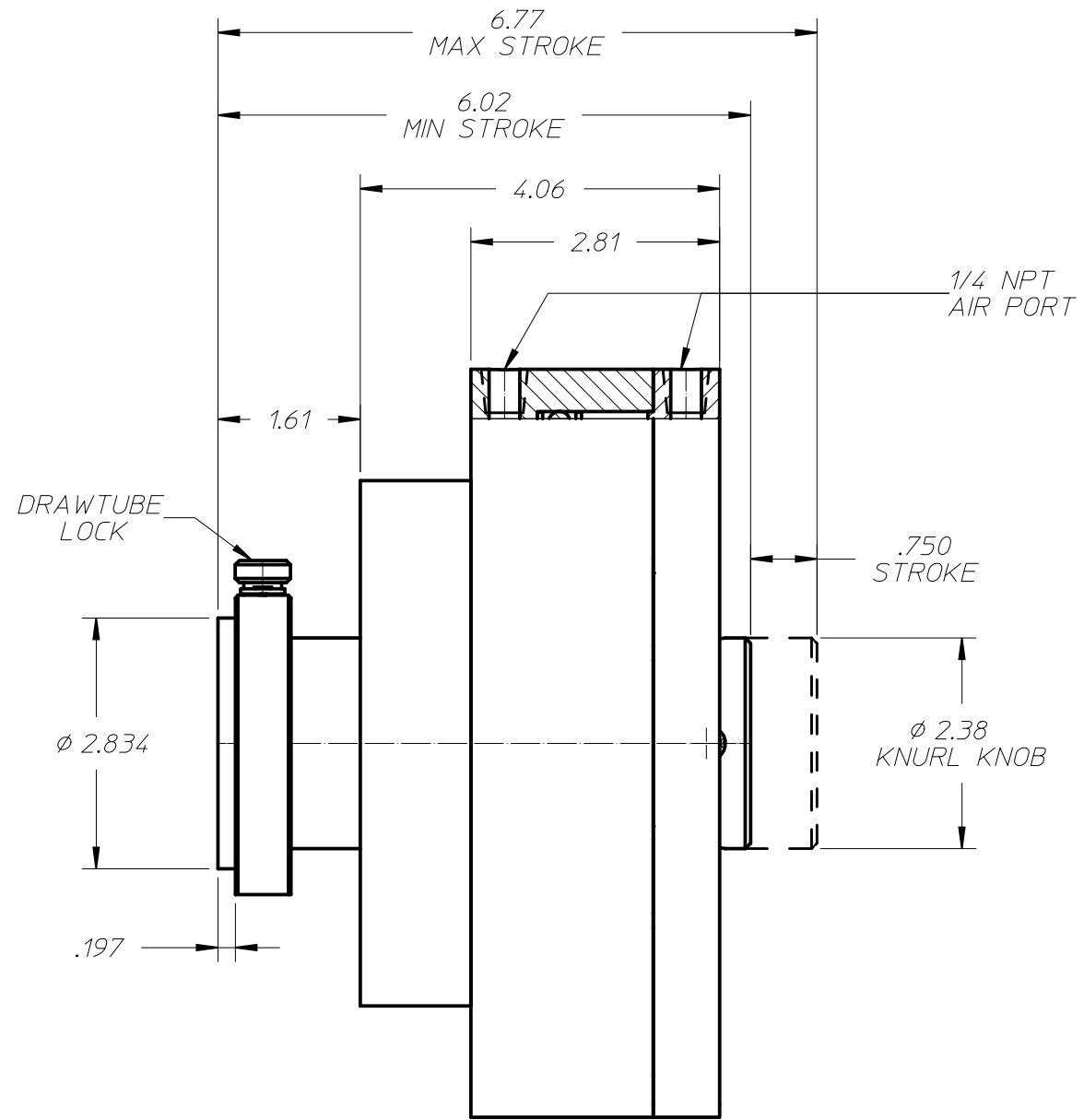
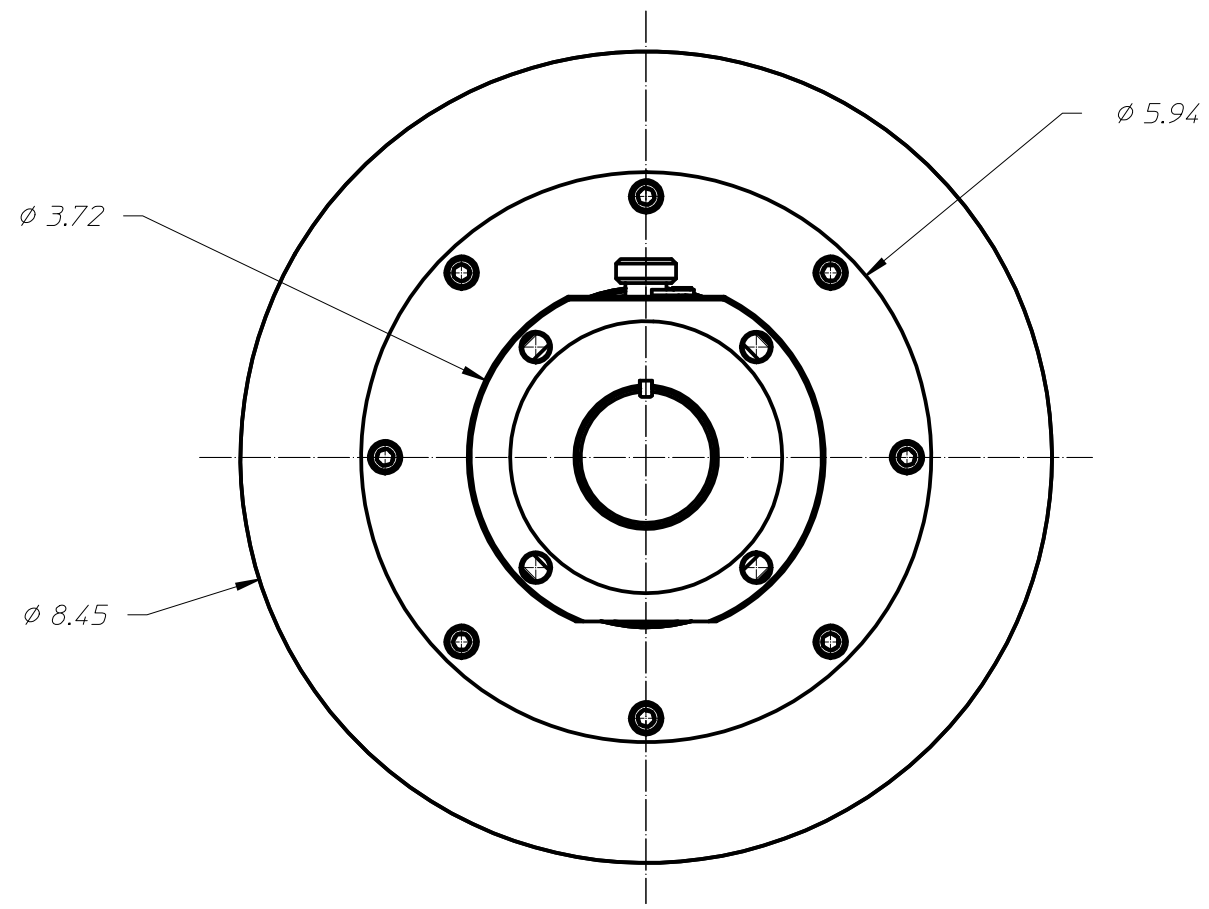



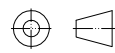
| REV. | DATE | CHANGES | BY |
|------|------|---------|----|
| | | | |
| | | | |
| | | | |
| | | | |
| | | | |
| | | | |
| | | | |



| | |
|---|------------|
| MATERIAL | |
| FINISH | HEAT TREAT |
| REFERENCE DRAWING: | |
| UNLESS OTHERWISE SPECIFIED DECIMAL DIM. .xx ±.015 .xxx ±.005 FRACTIONAL DIM. ±1/64 ANGLES ±1° ROUND EDGES .005-.015 CORNERS FILLETS .005-.020 SURFACE FINISH 32/ | |



THE DUNHAM TOOL COMPANY
DIVISION OF LISLE CORPORATION

| | | | |
|---|------------------------|------|-------------|
| TITLE | | | |
| AIR COLLET CLOSER 27X PILOTED | | | |
|  | FM-09-047 2/19/2015 | DR. | DATE |
| | USED ON | CHK. | DATE |
| SCALE | PART NO. | | DACC27-PMBM |