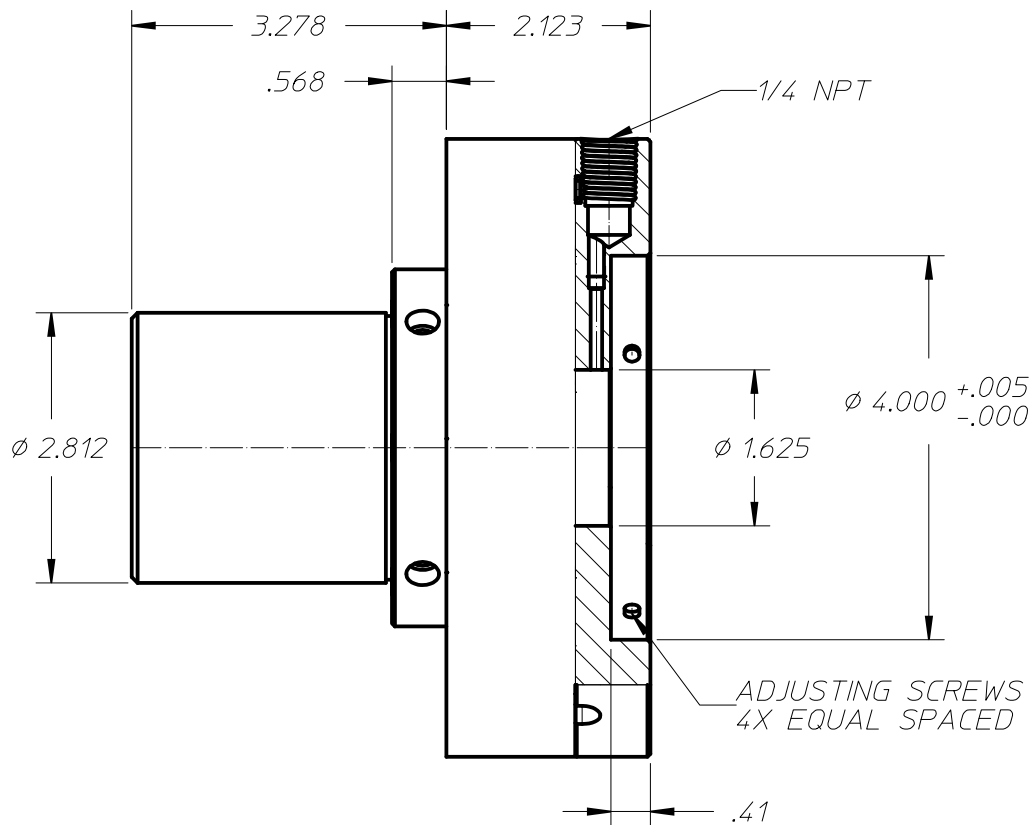
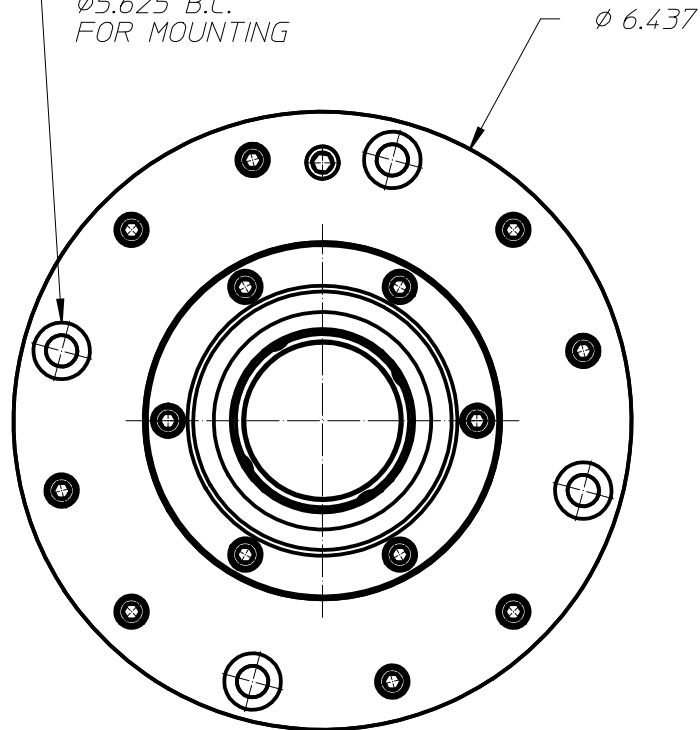


CLEARANCE FOR 5/16
 SOCKET HEAD CAP SCREWS
 4X EQUAL SPACED
 Ø5.625 B.C.
 FOR MOUNTING



PART NO. ACC16C-THRU

MATERIAL	
FINISH	HEAT TREAT
REFERENCE DRAWING:	



UNLESS OTHERWISE SPECIFIED
 DECIMAL DIM.
 .xx ±.015 .xxx ±.005
 FRACTIONAL DIM. ±1/64
 ANGLES ±1°
 ROUND EDGES .005-.015
 CORNERS FILLETS .005-.020
 SURFACE FINISH 32/√

TITLE
 AIR COLLET CHUCK THRU
 W/16C COLLET ADAPTER

	FM-09-047 2/19/2015	DR.	DATE
		CHK.	DATE
USED ON	PART NO. ACC16C-THRU		
SCALE			

REV.	DATE	CHANGES	BY