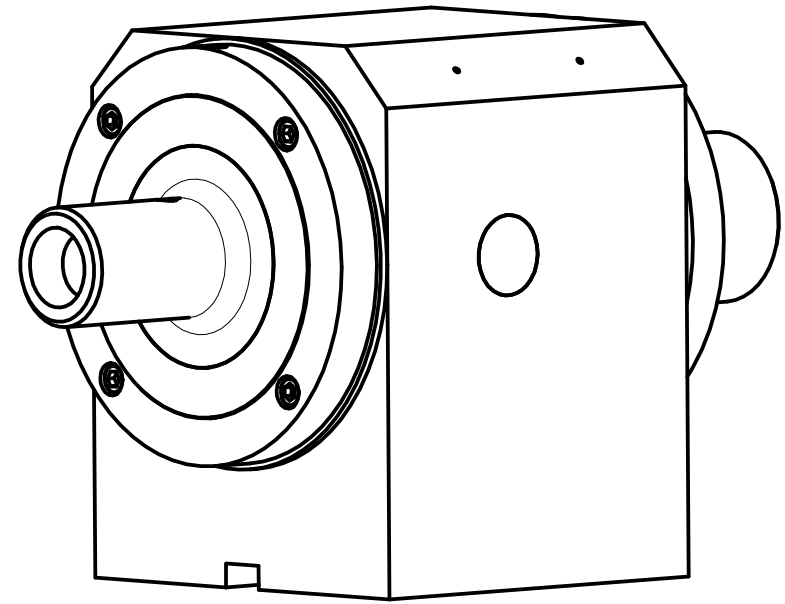
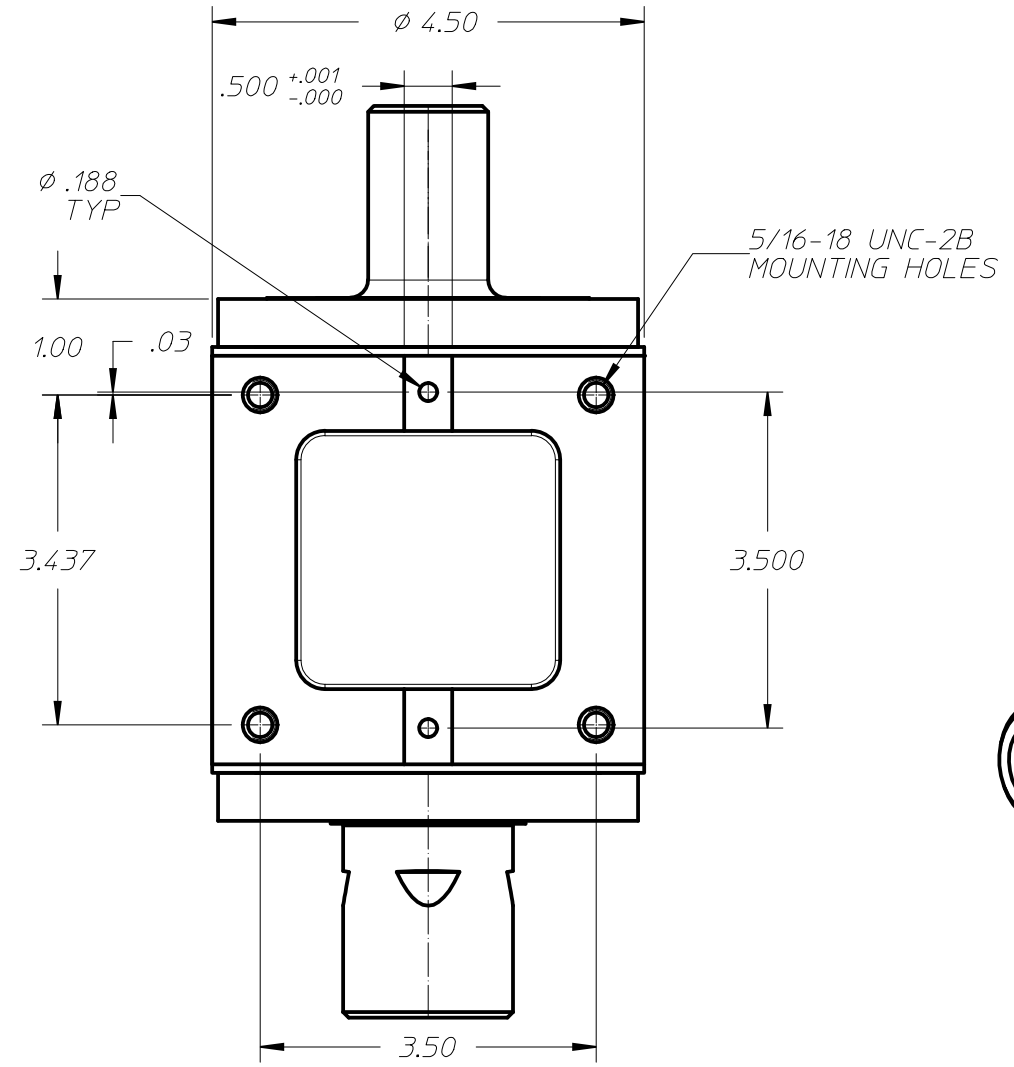




(OPTIONAL) AIR PURGE
5-7 P.S.I. 2/16/98



MATERIAL		 DUNHAM TOOL COMPANY DIVISION OF LISLE CORPORATION		
FINISH	HEAT TREAT			
REFERENCE DRAWING:		TITLE		
UNLESS OTHERWISE SPECIFIED DECIMAL DIM. .xx ±.015 .xxx ±.005 FRACTIONAL DIM. ±1/64 ANGLES ±1° ROUND EDGES .005-.015 CORNERS FILLETS .005-.020 SURFACE FINISH 32✓		CUSTOMER 3C CENTRIC PRINT		
USED ON	SCALE	 FM-09-047 2/19/2015	DR. _____ CHK. _____ PART NO. _____	DATE _____ DATE _____ D020-50MT-3C