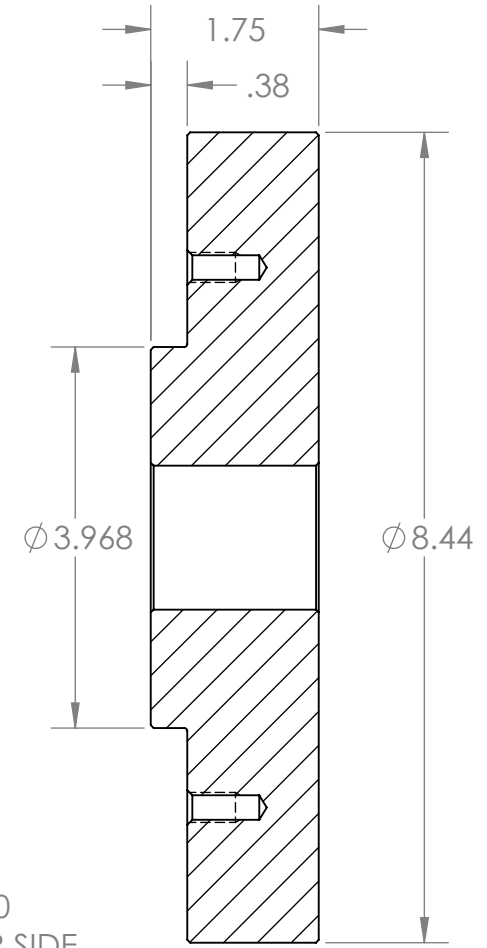


4X $\phi .257 \nabla .75$
 5/16-18 UNC $\nabla .50$
 $\sphericalangle \phi .363 \times 90^\circ$, NEAR SIDE



SECTION A-A
 SCALE 1 : 2

UNLESS OTHERWISE SPECIFIED:
 DIMENSIONS ARE IN INCHES
 TOLERANCES:
 FRACTIONAL $\pm 1/64$
 ANGULAR: $\pm 1^\circ$
 TWO PLACE DECIMAL $\pm .015$
 THREE PLACE DECIMAL $\pm .005$
 SURFACE FINISH 32 Rq
 BREAK ALL SHARP CORNERS
 DO NOT SCALE DRAWING

	NAME	DATE
DRAWN	MM	9/5/17
CHECKED	JD	9/13/17
MATERIAL	12L14	
FINISH		
HEAT TREAT		
PROPRIETARY AND CONFIDENTIAL		
THE INFORMATION CONTAINED IN THIS DRAWING IS THE SOLE PROPERTY OF THE DUNHAM TOOL COMPANY. ANY REPRODUCTION IN PART OR AS A WHOLE WITHOUT THE WRITTEN PERMISSION OF THE DUNHAM TOOL COMPANY IS PROHIBITED.		



TITLE:
 ACC MACHINABLE ADAPTER
 BLANK - CUSTOMER DRAWING

SIZE	DWG. NO.	REV
A	ACC-ADPT-BLANK	A
SCALE: 1:2	WEIGHT:	SHEET 1 OF 1