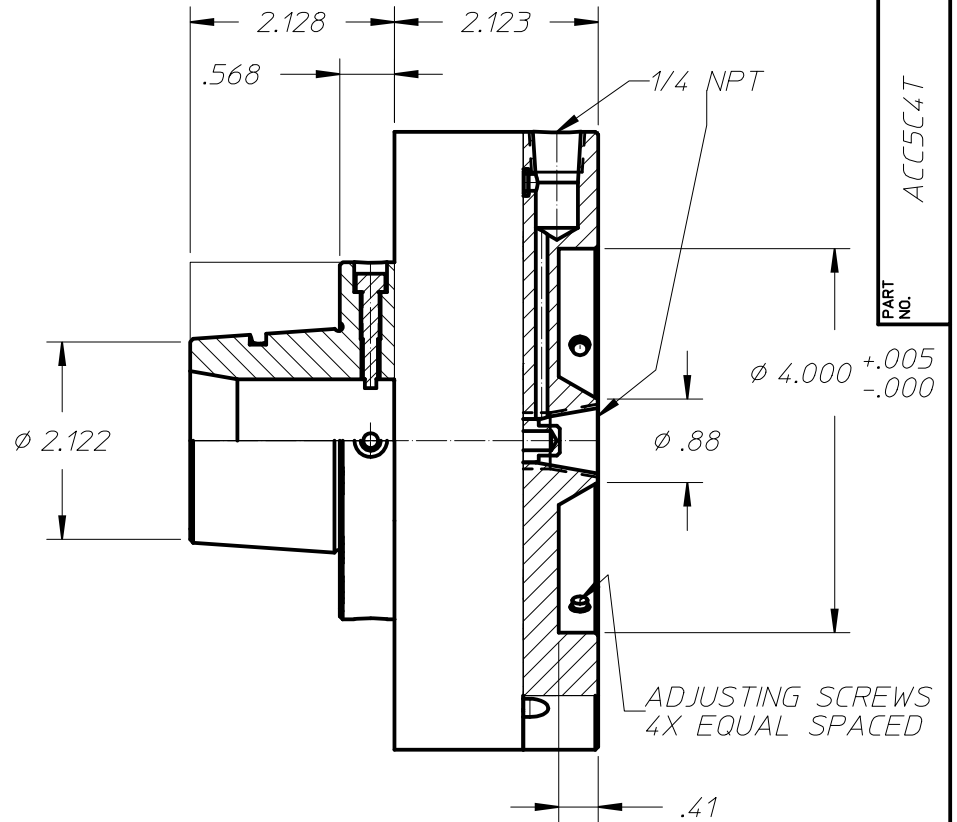
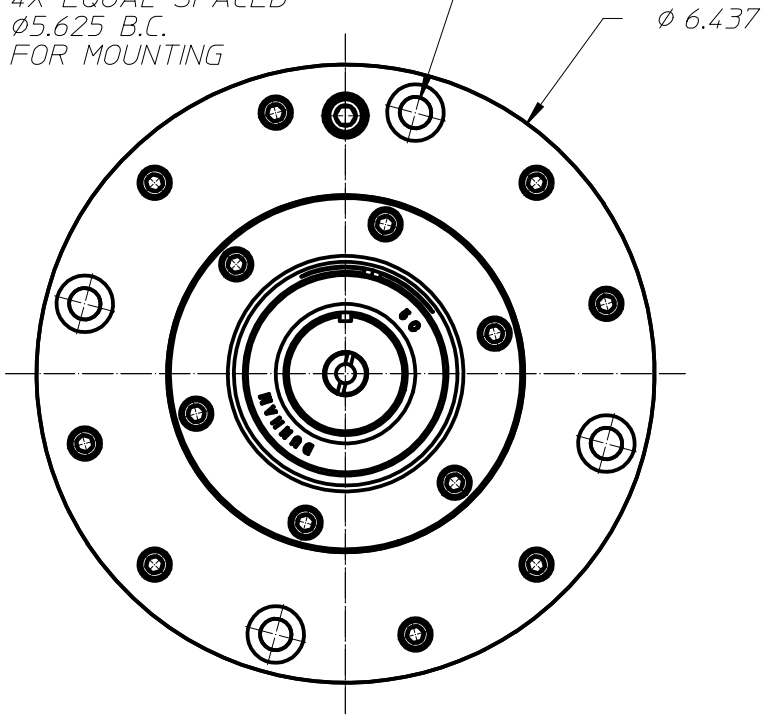



CLEARANCE FOR 5/16
 SOCKET HEAD CAP SCREWS
 4X EQUAL SPACED
 Ø5.625 B.C.
 FOR MOUNTING



PART NO.
 ACC5C4T

CLOSING FORCE = 11X LINE PRESSURE
 OPENING FORCE = 425 LBS
 MAX STROKE = .20

MATERIAL				 DUNHAM TOOL COMPANY DIVISION OF LISLE CORPORATION		
FINISH		HEAT TREAT				
REFERENCE DRAWING:						
UNLESS OTHERWISE SPECIFIED DECIMAL DIM. .xx ±.015 .xxx ±.005 FRACTIONAL DIM. ±1/64 ANGLES ±1° ROUND EDGES .005-.015 CORNERS FILLETS .005-.020 SURFACE FINISH 32✓				TITLE CUSTOMER AIR COLLET CHUCK w/5C 4° TAPER		
USED ON		FM-09-047 2/19/2015		DR. MM DATE AUG-15-19 CHK. DATE		
SCALE		PART NO.		ACC5C4T		
REV.	DATE	CHANGES	BY			