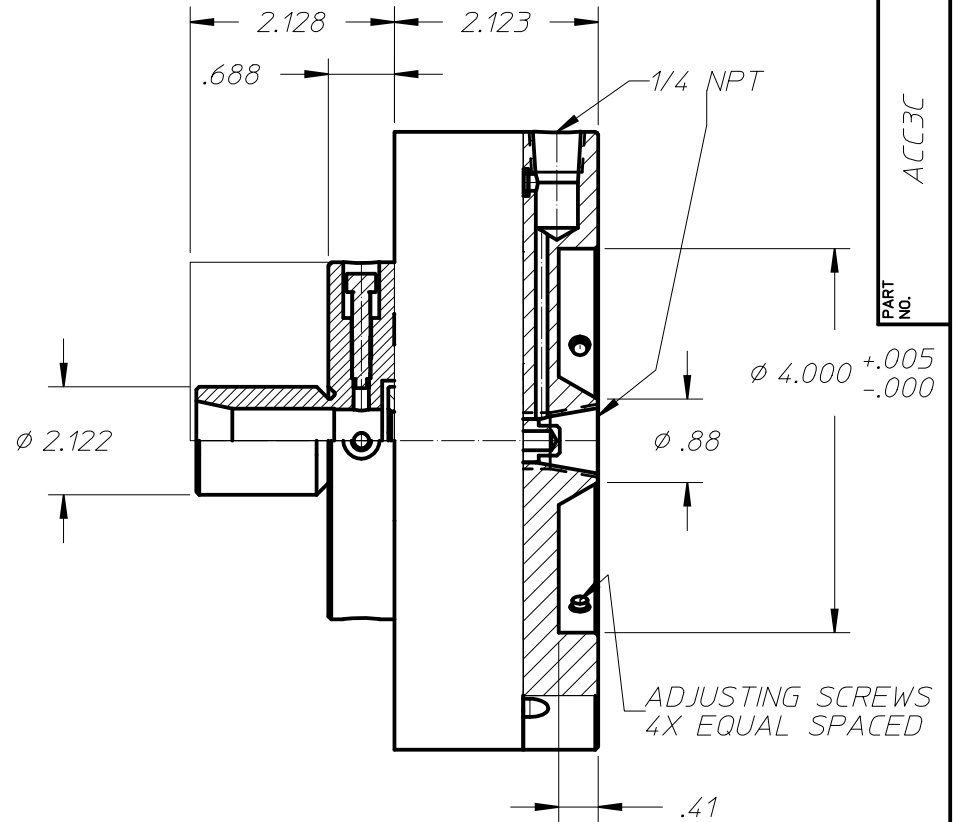
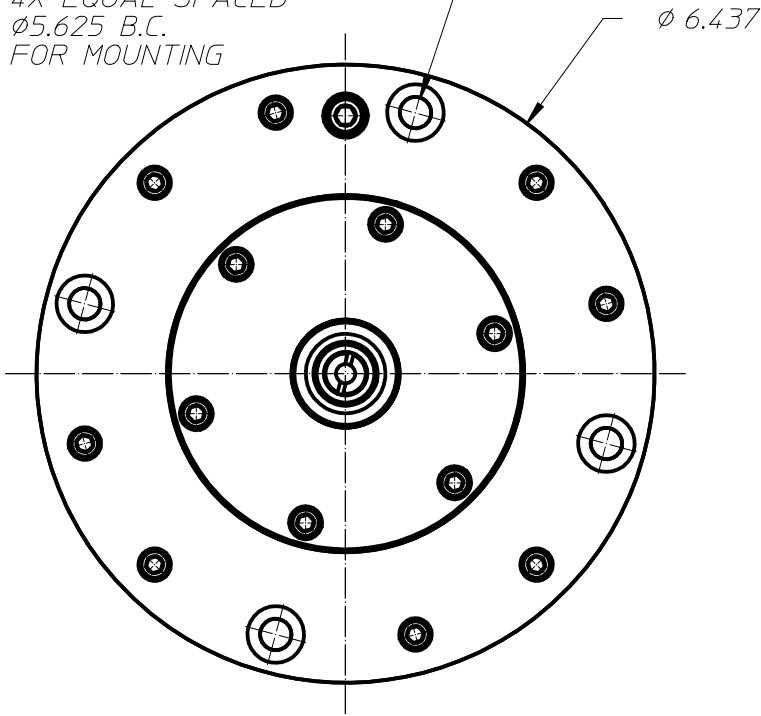


CLEARANCE FOR 5/16
 SOCKET HEAD CAP SCREWS
 4X EQUAL SPACED
 $\phi 5.625$ B.C.
 FOR MOUNTING



PART NO.
 ACC3C

MATERIAL

FINISH HEAT TREAT

REFERENCE DRAWING:

UNLESS OTHERWISE SPECIFIED
 DECIMAL DIM.
 .xx $\pm .015$.xxx $\pm .005$
 FRACTIONAL DIM. $\pm 1/64$
 ANGLES $\pm 1^\circ$
 ROUND EDGES .005-.015
 CORNERS FILLETS .005-.020
 SURFACE FINISH 32 \sqrt



TITLE
 CUSTOMER AIR COLLET
 CHUCK 3C

	FM-09-047	DR.	DATE
	2/19/2015	CHK.	DATE

USED ON	PART NO.
SCALE	ACC3C

REV.	DATE	CHANGES	BY