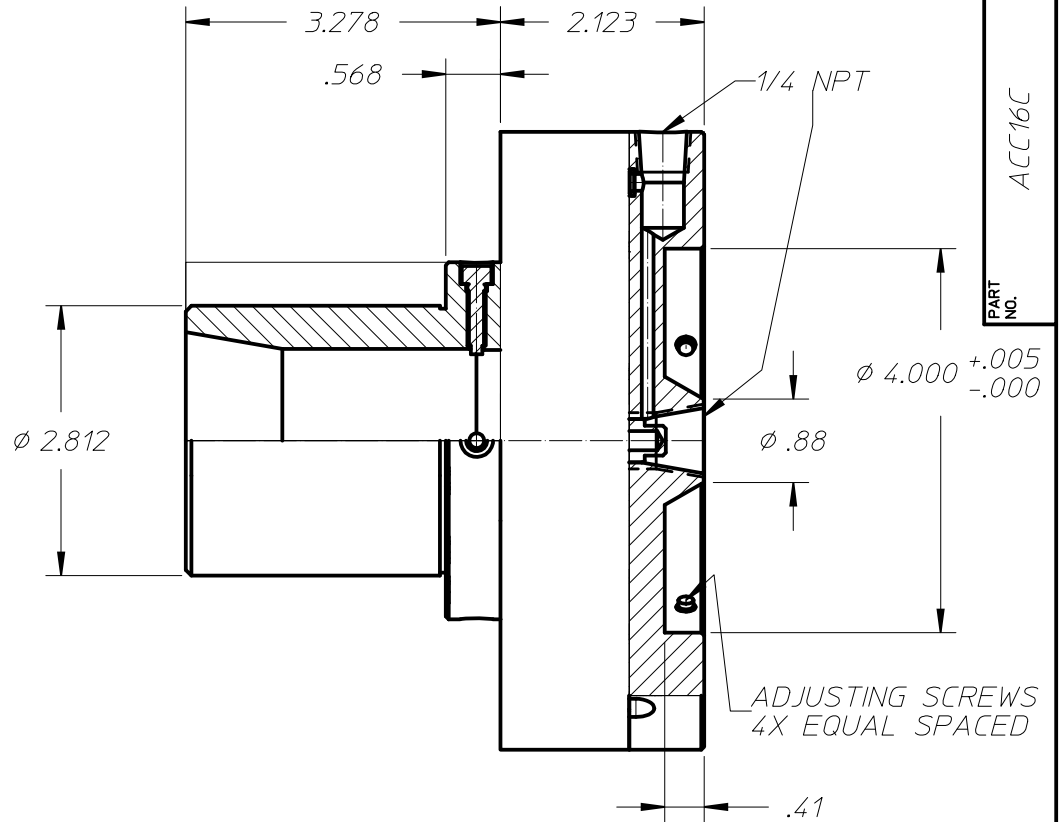
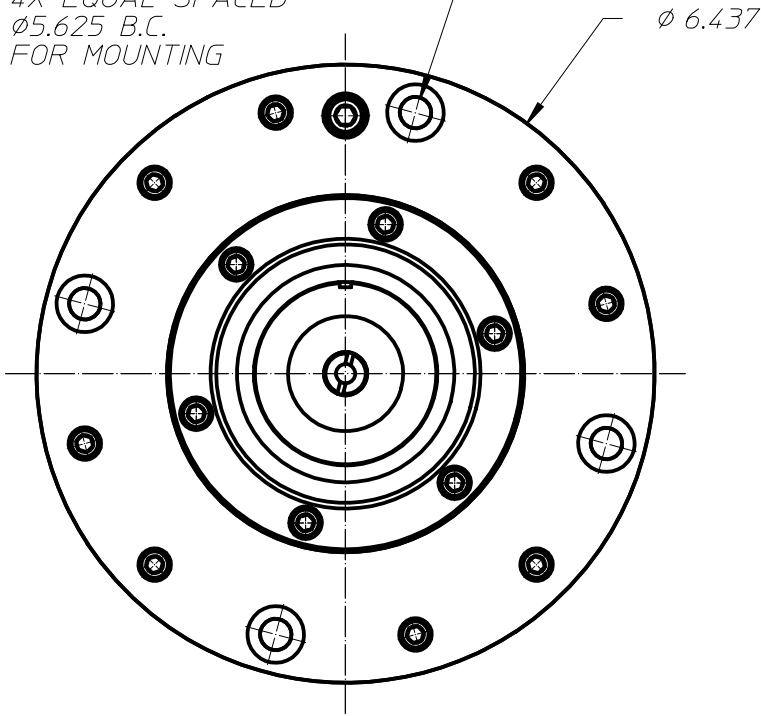


CLEARANCE FOR 5/16
 SOCKET HEAD CAP SCREWS
 4X EQUAL SPACED
 Ø5.625 B.C.
 FOR MOUNTING



PART NO.
 ACC16C

CLOSING FORCE = 11X LINE PRESSURE
 OPENING FORCE = 425 LBS
 MAX STROKE = .20

MATERIAL

FINISH HEAT TREAT

REFERENCE DRAWING:

UNLESS OTHERWISE SPECIFIED
 DECIMAL DIM.
 .xx ±.015 .xxx ±.005
 FRACTIONAL DIM. ±1/64
 ANGLES ±1°
 ROUND EDGES .005-.015
 CORNERS FILLETS .005-.020
 SURFACE FINISH 32/√



TITLE
 CUSTOMER AIR COLLET
 CHUCK w/16C COLLET ADAPTER

FM-09-047 DR. MM DATE DEC-13-19
 2/19/2015 CHK. DATE

USED ON SCALE PART NO. ACC16C

REV.	DATE	CHANGES	BY