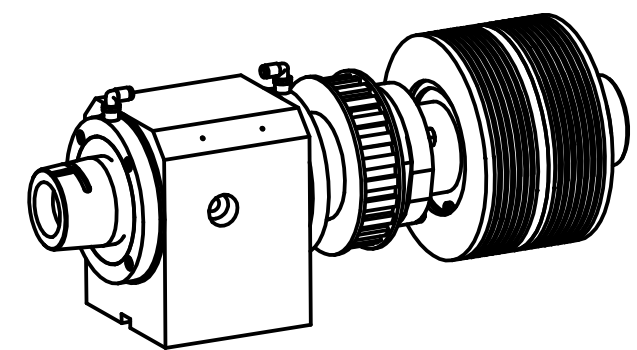
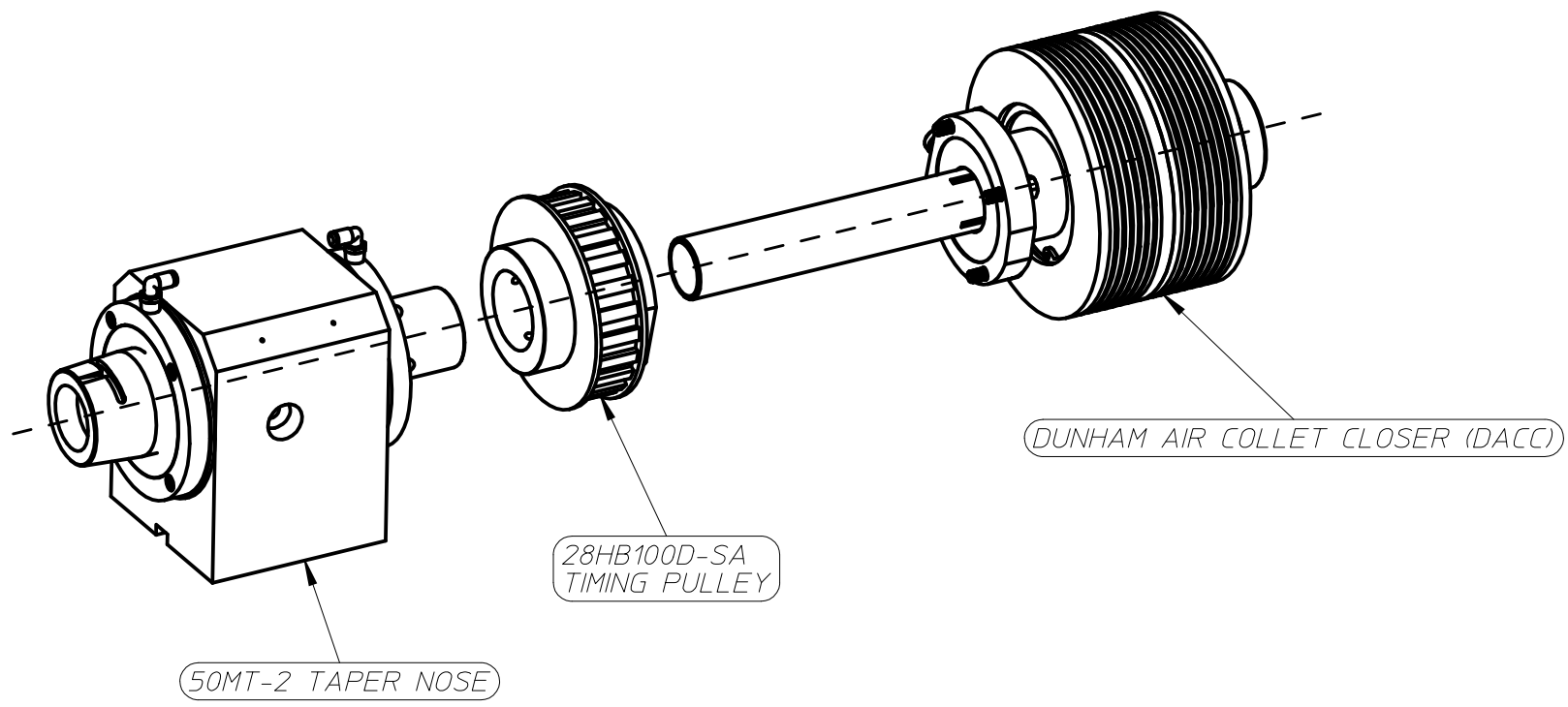


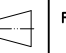


Part No.	Part Name
D020-50MT-2	50M TAPER NOSE
D020-28HB100D-SA	TIMING PULLEY
D010-DACC	DACC



MATERIAL		 DUNHAM TM TOOL COMPANY DIVISION OF LISLE CORPORATION	
FINISH	HEAT TREAT		
REFERENCE DRAWING: CD0013		TITLE	
UNLESS OTHERWISE SPECIFIED DECIMAL DIM. .xx ±.015 .xxx ±.005 FRACTIONAL DIM. ±1/64 ANGLES ±1° ROUND EDGES .005-.015 CORNERS FILLETS .005-.020 SURFACE FINISH 32✓		50MT-2 CENTRIC (TAPER NOSE) W/DACC, ADAPTER, AND 28HB100D-SA	
		  FM-09-047 2/19/2015	DR. MM DATE MAR-15-18
		USED ON	CHK. DATE
		SCALE NONE	PART NO. 50MT-DACC-TP