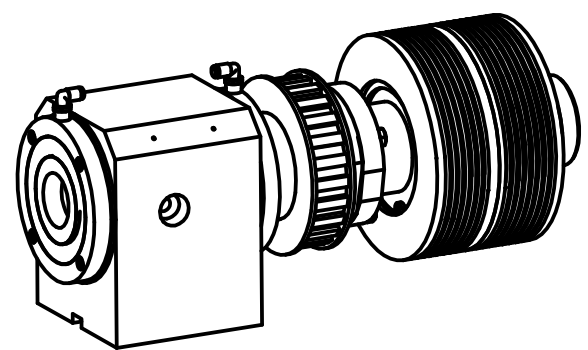
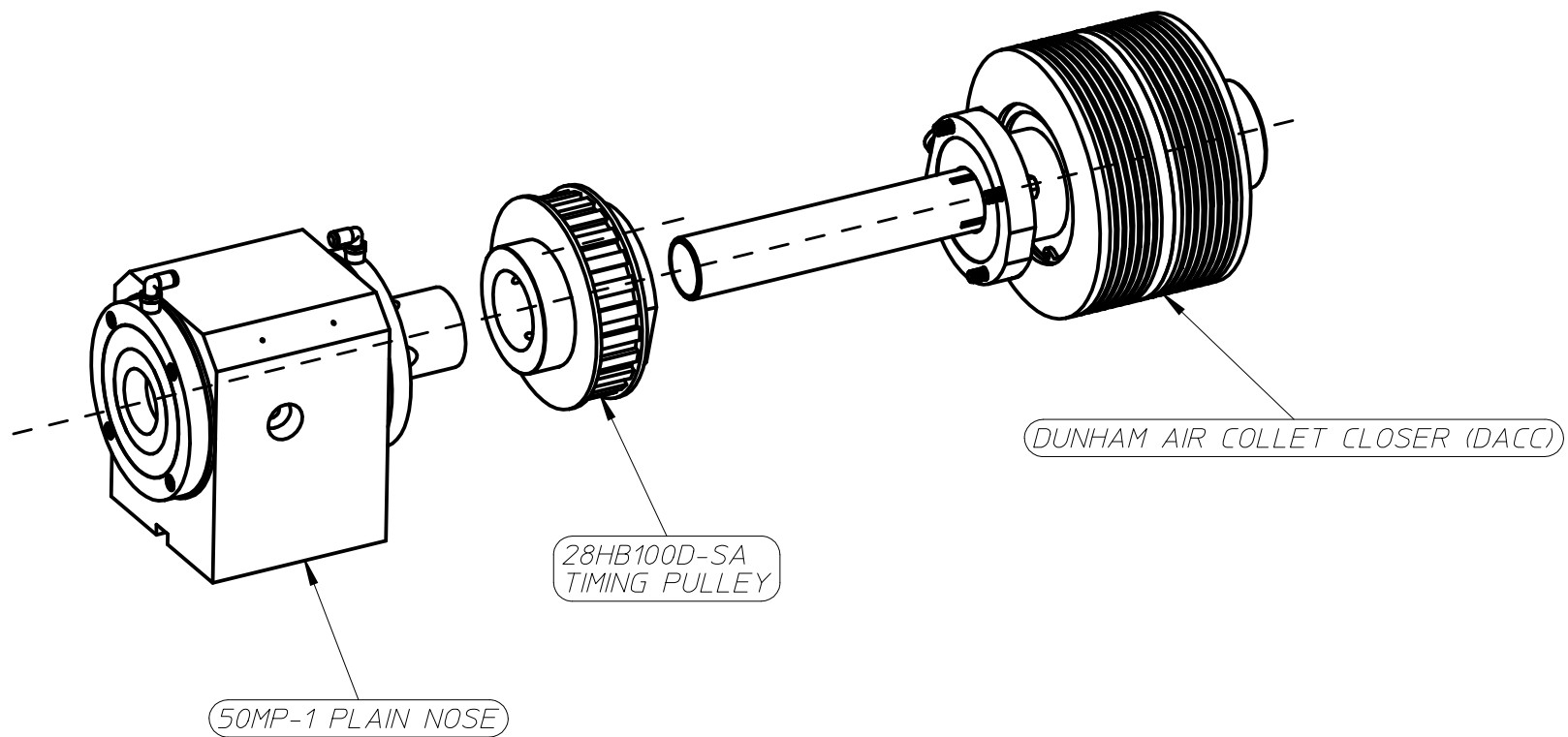


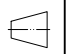


Part No.	Part Name
D020-50MP-1	50M PLAIN NOSE
D020-28HB100D-SA	TIMING PULLEY
D010-DACC	DACC



MATERIAL		 DUNHAM TOOL COMPANY DIVISION OF LISLE CORPORATION			
FINISH	HEAT TREAT				
REFERENCE DRAWING: CD0012		TITLE			
UNLESS OTHERWISE SPECIFIED DECIMAL DIM. .xx ±.015 .xxx ±.005 FRACTIONAL DIM. ±1/64 ANGLES ±1° ROUND EDGES .005-.015 CORNERS FILLETS .005-.020 SURFACE FINISH 32		50MP-1 CENTRIC (PLAIN NOSE) W/DACC, ADAPTER, AND 28HB100D-SA			
  FM-09-047 2/19/2015	DR. MM	DATE	MAR-15-18		
	USED ON	CHK.	DATE		
SCALE	NONE	PART NO.	50MP-DACC-TP		