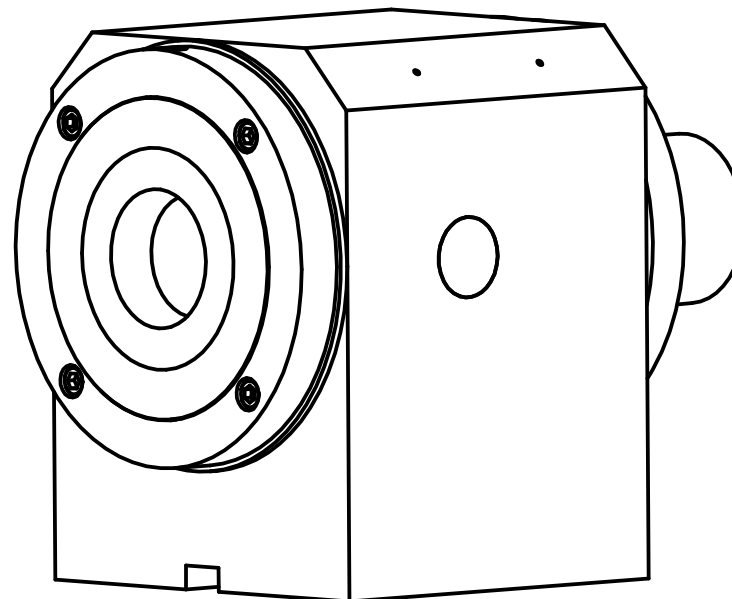
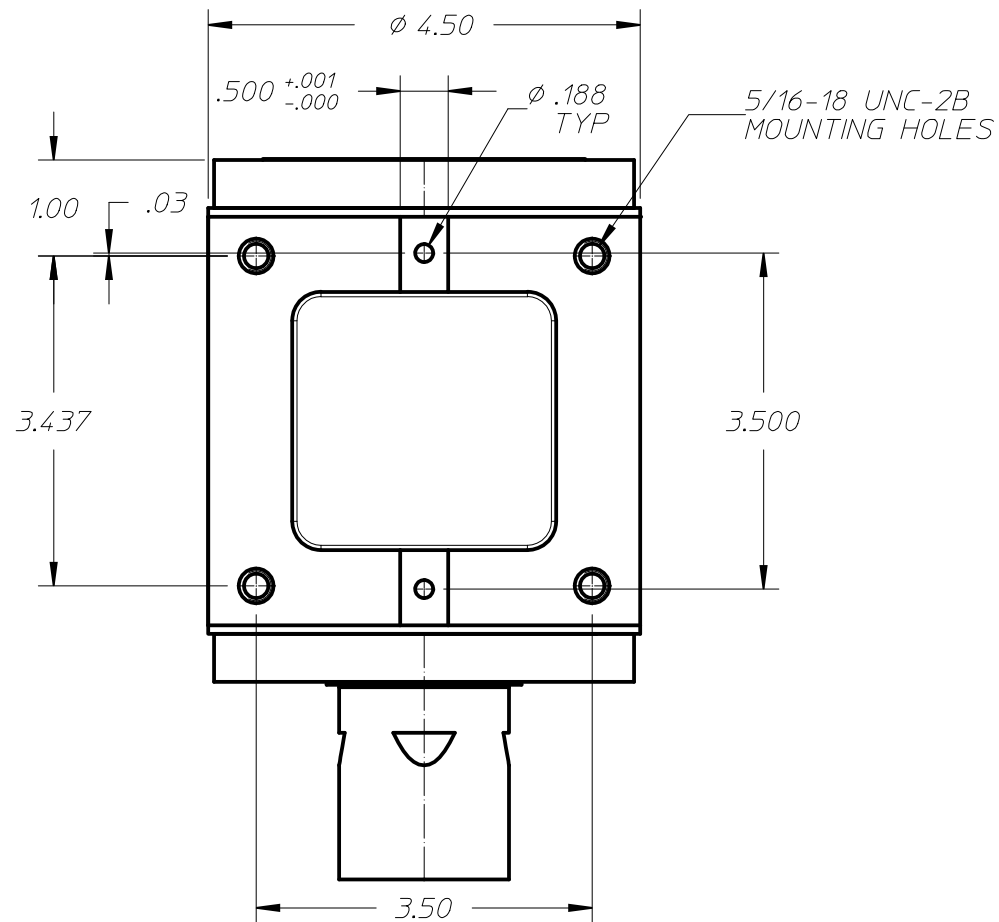




(OPTIONAL) AIR PURGE
5-7 P.S.I. 2/16/98



MOMENT OF INERTIA: .0364 WK2 SQUARED
RUN TORQUE: .09 FT-LBS
START TORQUE: .05 FT-LBS

| | | | | | |
|--|------------|---|------------------------|----------------|------------------------|
| MATERIAL | |  | | | |
| FINISH | HEAT TREAT | | | | |
| REFERENCE DRAWING: MB185-B | | TITLE | | | |
| UNLESS OTHERWISE SPECIFIED DECIMAL DIM. .xx ±.015 .xxx ±.005 FRACTIONAL DIM. ±1/64 ANGLES ±1° ROUND EDGES .005-.015 CORNERS FILLETS .005-.020 SURFACE FINISH 32/ | | CUSTOMER PLAIN NOSE CENTRIC PRINT | | | |
| | |  | FM-09-047 2/19/2015 | DR. MM CHK. | DATE AUG-12-19 DATE |
| | | USED ON | PART NO. | | D020-50MP-1 |
| | | SCALE | | | |