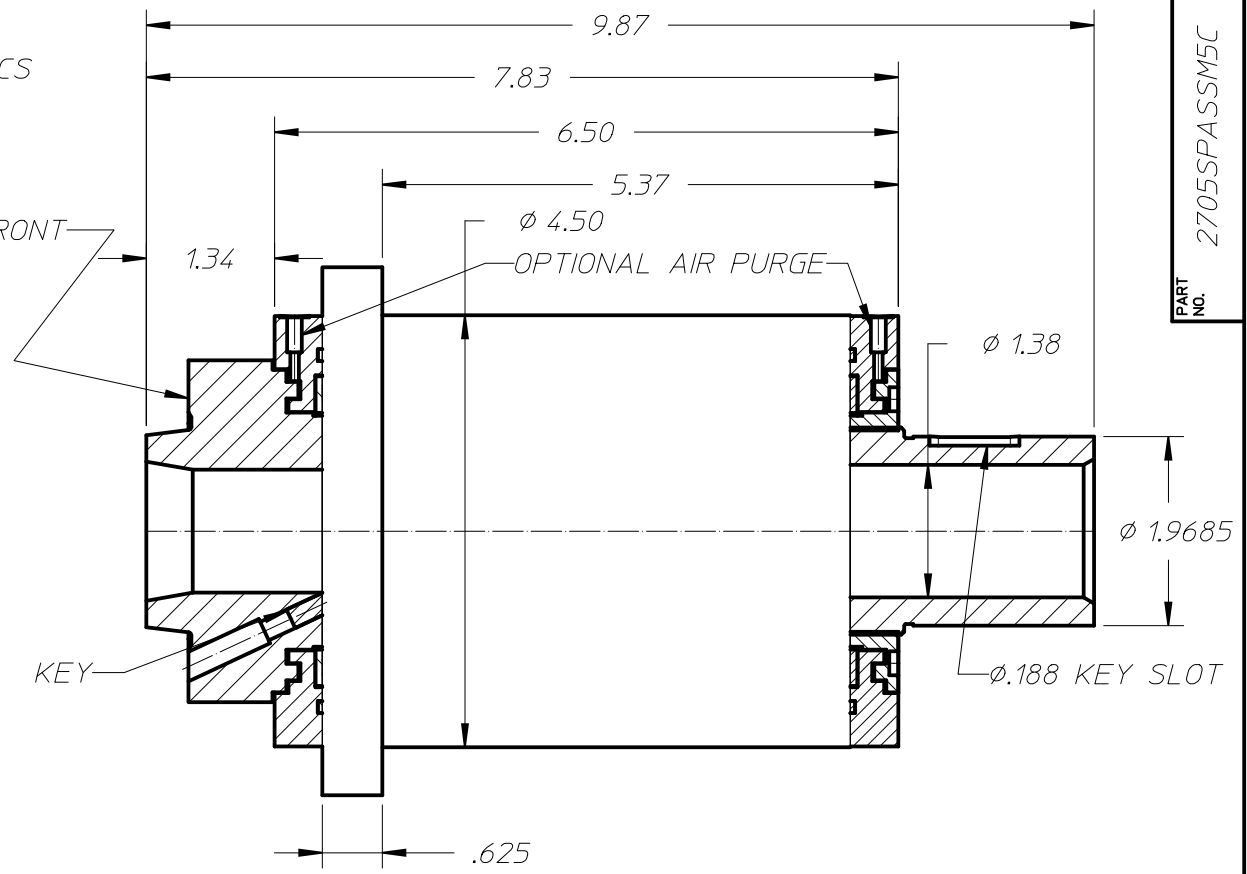
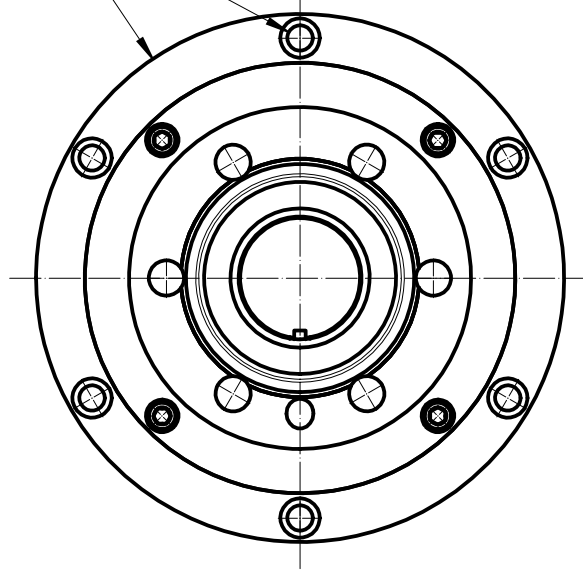


PART NO. 2705SPASSM5C

CLEARANCE HOLE FOR A 1/4" THD SHCS
6X EQUAL SPACED ON A Ø5.000 B.C.

Ø 5.500

A2-3 SPINDLE FRONT



KEY

OPTIONAL AIR PURGE

Ø 1.38

Ø 1.9685

Ø.188 KEY SLOT

.625

MATERIAL

FINISH HEAT TREAT

REFERENCE DRAWING:

UNLESS OTHERWISE SPECIFIED
DECIMAL DIM.
.xx ±.015 .xxx ±.005
FRACTIONAL DIM. ±1/64
ANGLES ±1°
ROUND EDGES .005-.015
CORNERS FILLETS .005-.020
SURFACE FINISH 32✓



TITLE
5C 2000 CARTRIDGE SPINDLE

FM-09-047 2/19/2015 DR. MM DATE JAN-27-20
CHK. DATE

USED ON SCALE PART NO. 2705SPASSM5C

| REV. | DATE | CHANGES | BY |
|------|------|---------|----|
| | | | |
| | | | |
| | | | |
| | | | |
| | | | |