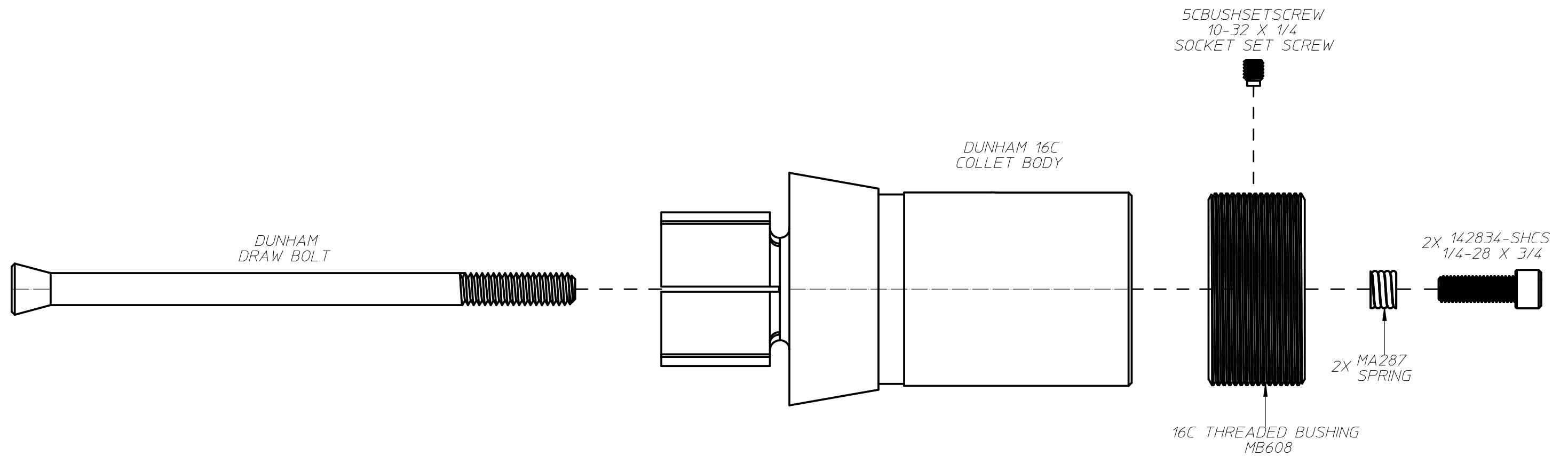




REV.	DATE	CHANGES	BY



MATERIAL		 <b>THE DUNHAM TOOL COMPANY</b> <small>DIVISION OF LISLE CORPORATION</small>	
FINISH	HEAT TREAT		
REFERENCE DRAWING:		TITLE	
UNLESS OTHERWISE SPECIFIED DECIMAL DIM. .xx ±.015 .xxx ±.005 FRACTIONAL DIM. ±1/64 ANGLES ±1° ROUND EDGES .005-.015 CORNERS FILLETS .005-.020 SURFACE FINISH 32✓		DUNHAM 16C COLLET ASSEMBLY	
 USED ON SCALE	FM-09-047 2/19/2015	DR. MM CHK. DATE	NOV-27-19
	PART NO. 16C-CC		